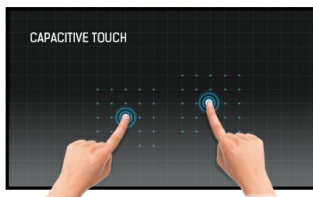




### 21.5" Full HD PCAP 10pt interactive Touch Panel PC with Android OS and edge-to-edge glass design

The ProLite TW2223AS-B2 interactive Touch Panel PC with an elegant edge-to-edge glass design is a perfect choice for high-use environments. This monitor can operate 24/7 in landscape, portrait and face-up orientation. Thanks to the pre-installed Android 12 operating system it is possible to easily customize the monitor by installing applications directly to it. In combination with the 32GB storage, Wi-Fi connection, LAN (RJ45) and Bluetooth connectors, it makes the monitor especially suited for POS systems or information points in retail shops to educate customers about your products, as well as virtually limitless smart home applications.



#### Touch technology - Capacitive

This technology uses a sensor-grid of micro-fine wires integrated into the glass that covers the screen. Touch is detected because electrical characteristics of the sensor grid change when human finger is placed on the glass. Thanks to the glass overlay this technology is highly durable, and the touch function remains unaffected even if the glass is scratched. It offers perfect picture performance and will work with human finger (also latex gloved) and stylus-pen.



#### Android OS

Thanks to Android OS, you can easily customize the display to your needs by installing applications directly to it.

## 01 DISPLAY CHARACTERISTICS

<b>Design</b>	Edge to edge glass
<b>Diagonal</b>	21.5", 54.6cm
<b>Panel</b>	VA
<b>Native resolution</b>	1920 x 1080 (2 megapixel HD)
<b>Aspect ratio</b>	16:9
<b>Panel brightness</b>	400 cd/m <sup>2</sup>
<b>Brightness</b>	345 cd/m <sup>2</sup> with touch
<b>Light transmittance</b>	85%
<b>Static contrast</b>	3000:1 with touch
<b>Response time (GTG)</b>	18ms
<b>Viewing zone</b>	horizontal/vertical: 178°/178°, right/left: 89°/89°, up/down: 89°/89°
<b>Colour support</b>	16.7mln
<b>Horizontal Sync</b>	30. - 84.kHz
<b>Viewable area W x H</b>	478 x 269.5mm, 18.8 x 11.8"
<b>Pixel pitch</b>	0.248mm
<b>Bezel colour and finish</b>	black, matte

## 02 TOUCH

<b>Touch technology</b>	projective capacitive
<b>Touch points</b>	10 (HID, only with supported OS)
<b>Touch accuracy</b>	+ - 2mm
<b>Touch method</b>	finger, glove (latex), capacitive stylus
<b>Touch interface</b>	USB

## 03 INTERFACES / CONNECTORS / CONTROLS

<b>Digital signal output</b>	HDMI x1 (1920x1080 @60Hz)
<b>Audio output</b>	Mini jack x1 Speakers 2 x 2W
<b>HDCP</b>	yes
<b>USB ports</b>	x5 (2x 2.0 (DC5V, 500mA), 1x v. 3.2 (Gen 1, 5Gbit; DC5V, 900mA), 2x serial port (for maintenance use), 1x USB OTG)
<b>RJ45 (LAN)</b>	x1 (10M/100M/1000M)
<b>Microphone</b>	x1

## 04 FEATURES

<b>Integrated software</b>	Android 12 with GMS
<b>CPU</b>	Rockchip RK3399 Hexa-core A72*2 + A53*4
<b>GPU</b>	T860 MP4
<b>Storage</b>	32Gb eMMC
<b>Memory</b>	4Gb LPDDR4
<b>WiFi</b>	IEEE802.11a/b/g/n/ac
<b>Bluetooth</b>	5.2
<b>Extra</b>	auto-rotation, SD card slot
<b>Max. non-stop operating time</b>	24/7

Anti image retention	yes
Glass thickness	2.9mm
Glass hardness	6H

## 05 GENERAL

Control buttons	Power switch
Applications	Lock applications, manage restart time, manage power on/off, calculator, calendar, Chrome, alarm/ clock, Timer, Stopwatch, Manage files, organize albums, Gmail, play audio files, Play Store, search engine, system preferences, sound recorder, play videos
Flicker free	yes

## 06 MECHANICAL

Orientation	landscape, portrait, face-up
VESA mounting	100 x 100mm
Cable management system	yes
MTBF	50000 hours (excluding backlight)

## 07 ACCESSORIES INCLUDED

Cables	power
Guides	quick start guide, safety guide
Other	AC adapter
Cable cover	yes

## 08 POWER MANAGEMENT

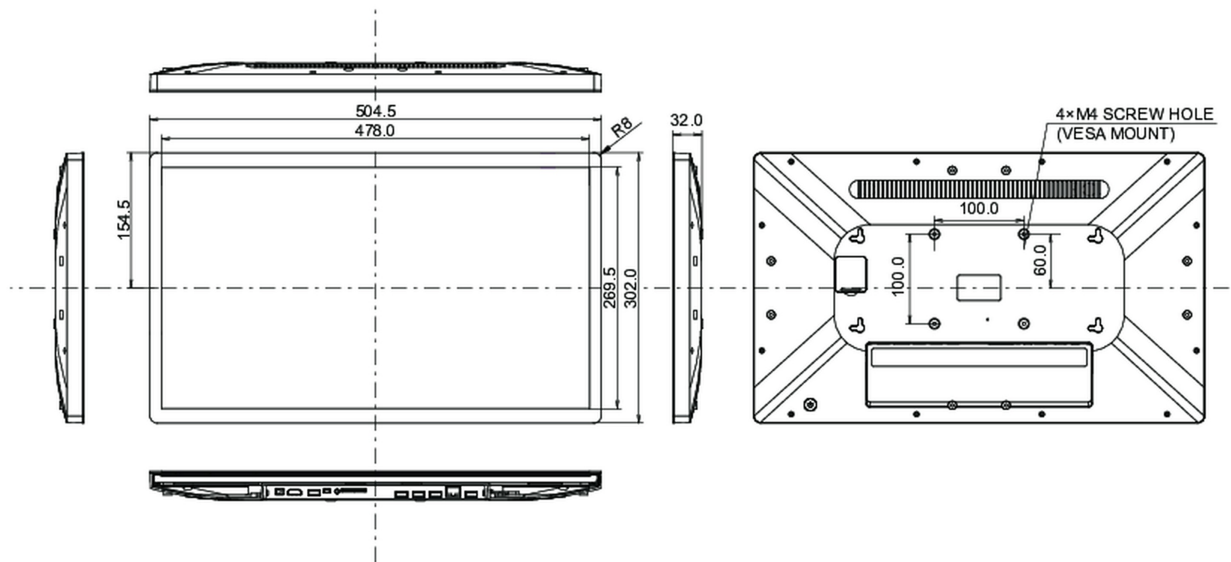
Power supply unit	external
Power supply	DC 12 V
Power usage	23W typical, 0.5W stand by, 0.3W off mode

## 09 SUSTAINABILITY

Regulations	CE, EAC, RoHS support, ErP, WEEE, REACH, UKCA
REACH SVHC	above 0.1%: Lead

## 10 DIMENSIONS / WEIGHT

Product dimensions W x H x D	504.5 x 302 x 32mm
Box dimensions W x H x D	640 x 410 x 121mm
Weight (without box)	3.61kg
Weight (with box)	5.98kg
EAN code	4948570124787



© IIYAMA CORPORATION. ALL RIGHTS RESERVED