



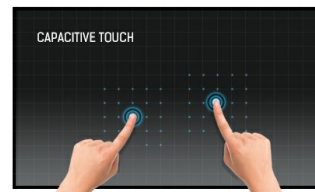
19" 10pt touch monitor featuring IPS panel technology

The ProLite T1932MSC-B1S 19" 10tp touchscreen is based on projective capacitive technology which thanks to a glass overlay covering the screen guarantees high durability, scratch-resistance and perfect picture performance. The IPS panel guarantees high performance with accurate and consistent colour reproduction, and wide viewing angles. Anti Glare coating helps to avoid issues with reflections and external light sources affecting colour reproduction, contrast and sharpness. Its touch function remains unaffected even if the glass is scratched. A solid and steady base supports the touchscreen with an adjustable stand offering full 90 degree positioning angles. In addition, the edge-to-edge glass design creates an eye-catching finish with high light transmission guaranteeing perfect picture clarity and brilliant colours.



IPS

IPS displays are best known for wide viewing angles and natural, highly accurate colours. They are especially suited for colour-critical applications.



Touch technology - Capacitive

This technology uses a sensor-grid of micro-fine wires integrated into the glass that covers the screen. Touch is detected because electrical characteristics of the sensor grid change when human finger is placed on the glass. Thanks to the glass overlay this technology is highly durable, and the touch function remains unaffected even if the glass is scratched. It offers perfect picture performance and will work with human finger (also latex gloved) and stylus-pen.

01 DISPLAY CHARACTERISTICS

| | |
|--------------------------------|---|
| Design | Edge to edge glass |
| Diagonal | 19", 48cm |
| Panel | IPS |
| Native resolution | 1280 x 1024 (1.3 megapixel) |
| Aspect ratio | 5:4 |
| Panel brightness | 250 cd/m ² |
| Brightness | 225 cd/m ² with touch |
| Light transmittance | 90% |
| Static contrast | 1000:1 with touch |
| Response time (GTG) | 14ms |
| Viewing zone | horizontal/vertical: 178°/178°, right/left: 89°/89°, up/down: 89°/89° |
| Colour support | 16.7mln |
| Horizontal Sync | 31 - 80kHz |
| Viewable area W x H | 374.8 x 300mm, 14.8 x 11.8" |
| Pixel pitch | 0.2928mm |
| Bezel colour and finish | black, matte |

02 TOUCH

| | |
|------------------------------------|---|
| Touch technology | projective capacitive |
| Touch points | 10 (HID, only with supported OS) |
| Touch method | stylus, finger, glove |
| Touch interface | USB |
| Supported operating systems | All iiyama monitors are Plug & Play and compatible with Windows and Linux. For details regarding the supported OS for the touch models, please refer to the driver instruction file available in the downloads section. |

03 INTERFACES / CONNECTORS / CONTROLS

| | |
|-----------------------------|---------------------------|
| Analog signal input | VGA x1 |
| Digital signal input | HDMI x1 DisplayPort x1 |
| Audio input | Mini jack x1 |
| Audio output | Speakers 2 x 1W |
| HDCP | yes |

04 FEATURES

| | |
|----------------------------------|--------------|
| Water and dust protection | IP54 (front) |
| OSD key lock | yes |

05 GENERAL

| | |
|------------------------|---|
| OSD languages | EN, DE, FR, ES, IT, CN, JP |
| Control buttons | Menu, Scroll up/ Brightness, Scroll down/ Mute, Select, Power |
| User controls | Picture (contrast, brightness, H.position, V.position, phase, clock, auto adjust), advanced (color temp., sharpness), OSD (timeout, position, H-position, V-position), option (reset, language, source select, display mode, volume, factory) |
| Convenience | Kensington-lock™ prepared |

06 MECHANICAL

Tilt angle 90° up; 5° down

VESA mounting 100 x 100mm

Cable management system yes

07 ACCESSORIES INCLUDED

Cables power, USB, HDMI, DP

Guides quick start guide, safety guide

Cable cover yes

08 POWER MANAGEMENT

Power supply unit internal

Power supply AC 100 - 240V, 50/60Hz

Power usage 20W typical, 1.5W stand by, 0.3W off mode

09 SUSTAINABILITY

Regulations CE, EAC, RoHS support, ErP, WEEE, cULus, REACH, UKCA

Energy efficiency class (Regulation (EU) 2017/1369) E

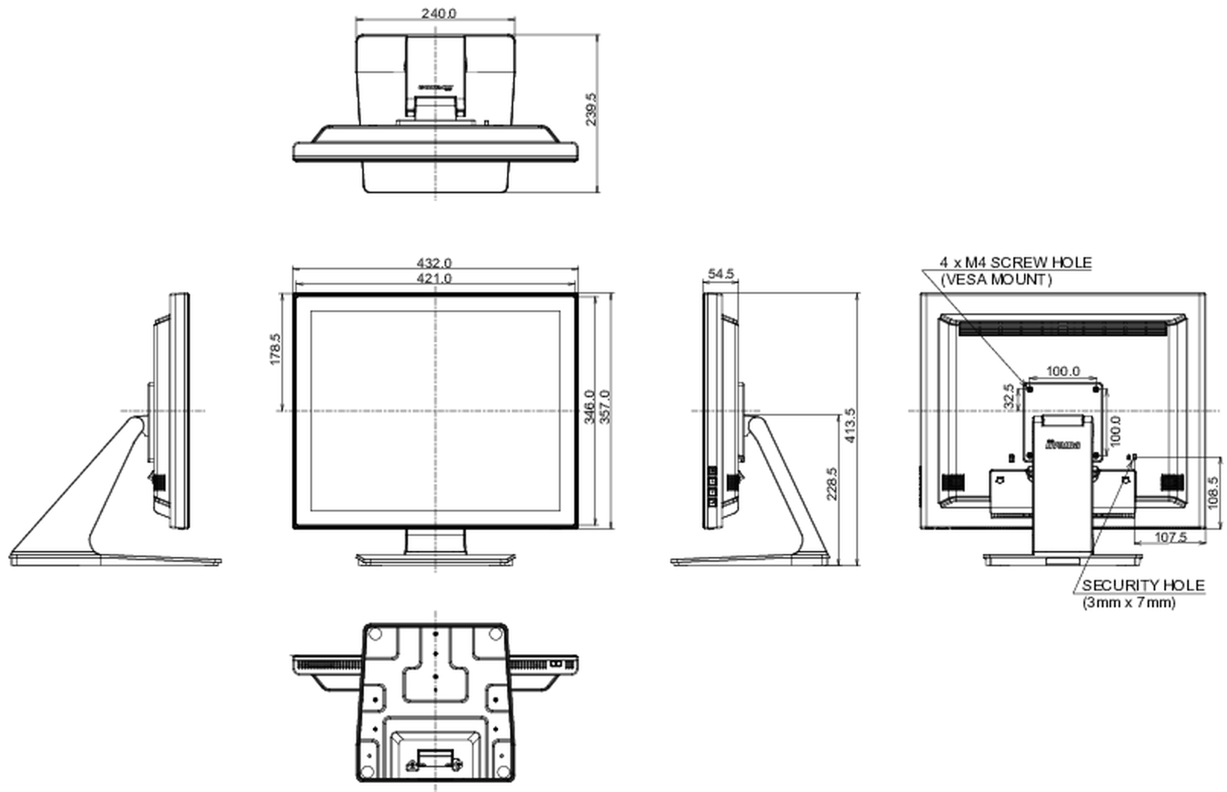
REACH SVHC above 0.1%: Lead

10 DIMENSIONS / WEIGHT

Product dimensions W x H x D 432 x 413.5 x 239.5mm

Weight (without box) 5.4kg

EAN code 4948570122196



© IIYAMA CORPORATION. ALL RIGHTS RESERVED