



19" 10pt touch monitor featuring IPS panel and AG coating

The ProLite T1932MSC-W1SAG 19" 10tp touchscreen is based on projective capacitive technology which thanks to a glass overlay covering the screen guarantees high durability, scratch-resistance and perfect picture performance. The IPS panel guarantees high performance with accurate and consistent colour reproduction, and wide viewing angles. Anti Glare coating helps to avoid issues with reflections and external light sources affecting colour reproduction, contrast and sharpness. Its touch function remains unaffected even if the glass is scratched. A solid and steady base supports the touchscreen with an adjustable stand offering full 90 degree positioning angles. In addition, the edge-to-edge glass design creates an eye-catching finish with high light transmission guaranteeing perfect picture clarity and brilliant colours.



IPS

IPS displays are best known for wide viewing angles and natural, highly accurate colours. They are especially suited for colour-critical applications.



Touch technology - Capacitive

This technology uses a sensor-grid of micro-fine wires integrated into the glass that covers the screen. Touch is detected because electrical characteristics of the sensor grid change when human finger is placed on the glass. Thanks to the glass overlay this technology is highly durable, and the touch function remains unaffected even if the glass is scratched. It offers perfect picture performance and will work with human finger (also latex gloved) and stylus-pen.

01 DISPLAY CHARACTERISTICS

Design	Edge to edge glass
Diagonal	19", 48cm
Panel	IPS
Native resolution	1280 x 1024 (1.3 megapixel)
Aspect ratio	5:4
Panel brightness	250 cd/m ²
Brightness	215 cd/m ² with touch
Light transmittance	85%
Static contrast	1000:1 with touch
Response time (GTG)	14ms
Viewing zone	horizontal/vertical: 178°/178°, right/left: 89°/89°, up/down: 89°/89°
Colour support	16.7mln
Horizontal Sync	31 - 80kHz
Viewable area W x H	374.8 x 300mm
Pixel pitch	0.2928mm
Bezel colour and finish	white, matte

02 TOUCH

Touch technology	projective capacitive
Touch points	10 (HID, only with supported OS)
Touch method	stylus, finger, glove
Touch interface	USB
Supported operating systems	All iiyama monitors are Plug & Play and compatible with Windows and Linux. For details regarding the supported OS for the touch models, please refer to the driver instruction file available in the downloads section.

03 INTERFACES / CONNECTORS / CONTROLS

Analog signal input	VGA x1
Digital signal input	HDMI x1 DisplayPort x1
Audio input	Mini jack x1
Audio output	Speakers 2 x 1W
HDCP	yes

04 FEATURES

Water and dust protection	IP54 (front)
OSD key lock	yes

05 GENERAL

OSD languages	EN, DE, FR, ES, IT, CN, JP
Control buttons	Menu, Scroll up/ Brightness, Scroll down/ Mute, Select, Power
User controls	Picture (contrast, brightness, H.position, V.position, phase, clock, auto adjust), advanced (color temp., sharpness), OSD (timeout, position, H-position, V-position), option (reset, language, source select, display mode, volume, factory)
Convenience	Kensington-lock™ prepared

06 MECHANICAL

Tilt angle 90° up; 5° down

VESA mounting 100 x 100mm

Cable management system yes

07 ACCESSORIES INCLUDED

Cables power, USB, HDMI, DP

Guides quick start guide, safety guide

Cable cover yes

08 POWER MANAGEMENT

Power supply unit internal

Power supply AC 100 - 240V, 50/60Hz

Power usage 20W typical, 1.5W stand by, 0.3W off mode

09 SUSTAINABILITY

Regulations CE, EAC, RoHS support, ErP, WEEE, cULus, REACH, UKCA

Energy efficiency class (Regulation (EU) 2017/1369) E

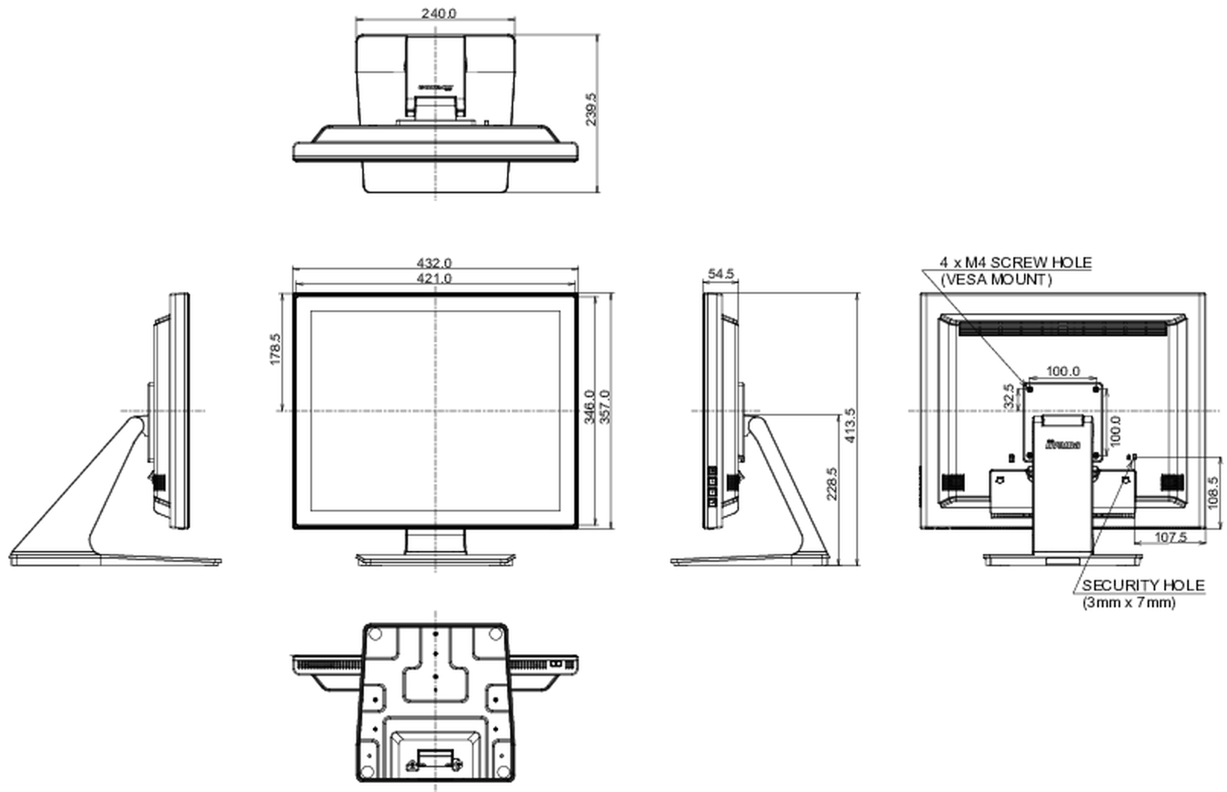
REACH SVHC above 0.1%: Lead

10 DIMENSIONS / WEIGHT

Product dimensions W x H x D 432 x 413.5 x 239.5mm

Weight (without box) 5.4kg

EAN code 4948570122219



© IYAMA CORPORATION. ALL RIGHTS RESERVED