



Evrensel duvar montajı, maks. 200x200mm. 50kg

With the easy and quick fixation system, this wall mount guarantees safe usage in environments like schools and other public utility buildings.

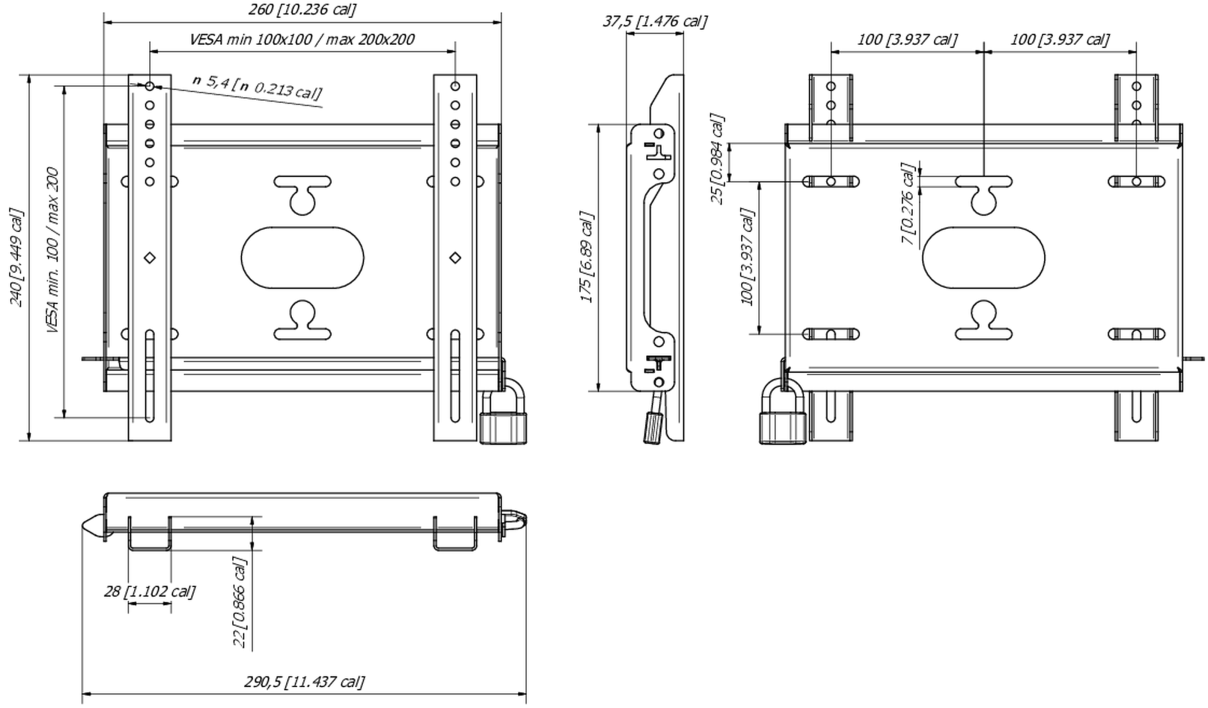
01 CİHAZ

Tip Wall Mount

02 TEKNİK ÖZELLİK

| | |
|-----------------------------|----------------|
| Maksimum ağırlık kapasitesi | 50kg / monitör |
| VESA minimum | 100 x 100mm |
| VESA maksimum | 200 x 200mm |

MD-WM2020



03 ÖLÇÜLER / AĞIRLIK

Ürün boyutları G x Y x D

240 x 37,5 x 3mm

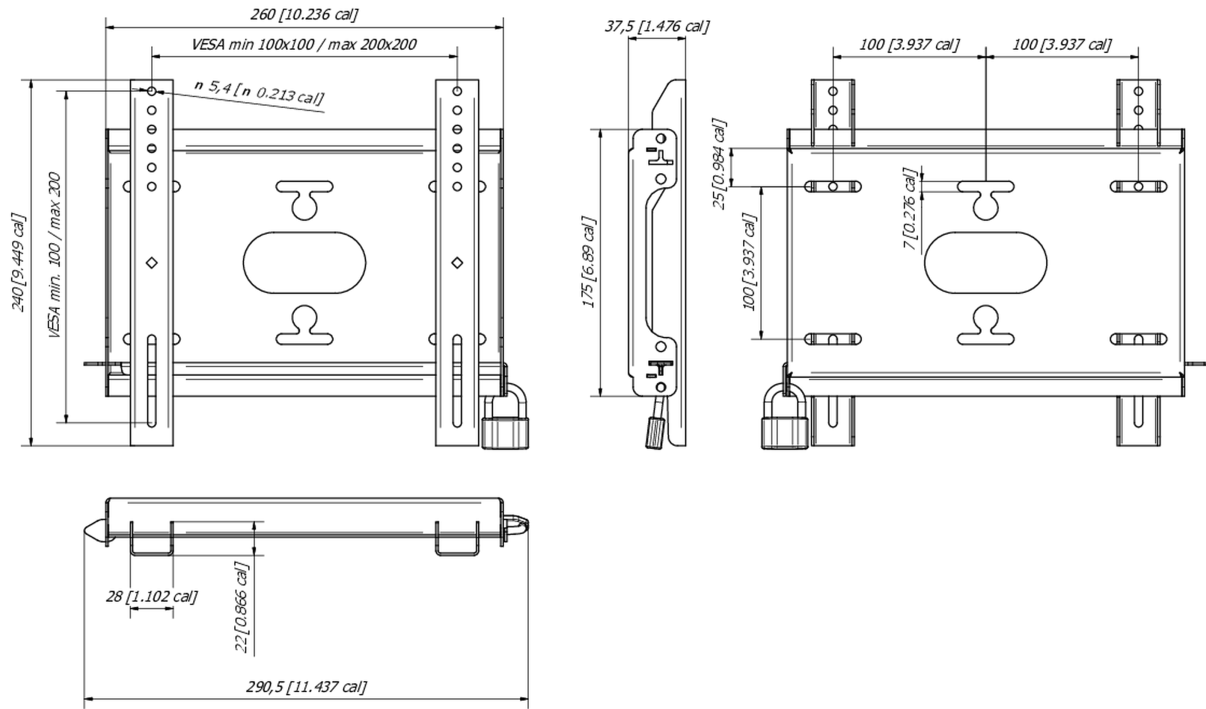
Ağırlık (kutu hariç)

1.1kg

EAN kodu

4948570033300

MD-WM2020



All trademarks and registered trademarks acknowledged. E & O E. Specification subject to change without notice. All LCD's comply with ISO-9241-307:2008 in connection with pixel defects.

© IIYAMA CORPORATION. ALL RIGHTS RESERVED