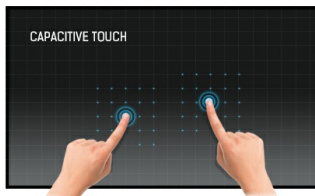




### 15" Projective Capacitive 10pt touchscreen

The ProLite T1532MSC-B1S 15" multi-touch screen is based on projected capacitive technology which thanks to a glass overlay covering the screen guarantees high durability, scratch-resistance and perfect picture performance. The touch function remains unaffected even if the glass is scratched. A solid and steady base supports the touchscreen with an adjustable stand offering full 90 degree positioning angles. Menu buttons are located on the side of the screen which can be locked to prevent tampering and includes a handy function to deactivate the touchscreen for cleaning. In addition the edge-to-edge glass design creates an eye-catching finish with high light transmission guaranteeing perfect picture clarity and brilliant colours.



#### Touch technology - Capacitive

This technology uses a sensor-grid of micro-fine wires integrated into the glass that covers the screen. Touch is detected because electrical characteristics of the sensor grid change when human finger is placed on the glass. Thanks to the glass overlay this technology is highly durable, and the touch function remains unaffected even if the glass is scratched. It offers perfect picture performance and will work with human finger (also latex gloved) and stylus-pen.



#### ip54

The IP Code classifies how resistant a device is to foreign objects and moisture. IP54 means that the monitor will operate in dusty conditions, and will resist splashing water.

## 01 DISPLAY CHARACTERISTICS

<b>Design</b>	Edge to edge glass
<b>Diagonal</b>	15", 38cm
<b>Panel</b>	TN
<b>Native resolution</b>	1024 x 768 (0.8 megapixel)
<b>Aspect ratio</b>	4:3
<b>Panel brightness</b>	350 cd/m <sup>2</sup>
<b>Brightness</b>	315 cd/m <sup>2</sup> with touch
<b>Light transmittance</b>	90%
<b>Static contrast</b>	800:1
<b>Response time (BTB)</b>	8ms
<b>Viewing zone</b>	horizontal/vertical: 176°/176°, right/left: 88°/88°, up/down: 88°/88°
<b>Horizontal Sync</b>	31 - 60kHz
<b>Viewable area W x H</b>	304.1 x 228.1mm
<b>Pixel pitch</b>	0.297mm
<b>Bezel colour and finish</b>	black, matte

## 02 TOUCH

<b>Touch technology</b>	projective capacitive
<b>Touch points</b>	10 (HID, only with supported OS)
<b>Touch method</b>	stylus, finger, glove (latex)
<b>Touch interface</b>	USB
<b>Supported operating systems</b>	All iiyama monitors are Plug & Play and compatible with Windows and Linux. For details regarding the supported OS for the touch models, please refer to the driver instruction file available in the downloads section.

## 03 INTERFACES / CONNECTORS / CONTROLS

<b>Analog signal input</b>	VGA x1
<b>Digital signal input</b>	HDMI x1 DisplayPort x1
<b>Audio output</b>	Speakers 2 x 1W
<b>HDCP</b>	yes

## 04 FEATURES

<b>Water and dust protection</b>	IP54 (front)
<b>OSD key lock</b>	yes

## 05 GENERAL

<b>OSD languages</b>	EN, DE, FR, ES, IT, CN, JP
<b>Control buttons</b>	Menu, Scroll up/ Brightness, Scroll down/ Mute, Select, Power
<b>User controls</b>	picture (contrast, brightness, H. position, V. position, phase, clock, auto adjust), advanced (color temp., sharpness), OSD (timeout, position, H. position, V. position), option (reset, language, source select, display mode, volume, mute, factory)
<b>Convenience</b>	Kensington-lock™ prepared
<b>Plug&amp;Play</b>	DDC2B

## 06 MECHANICAL

**Tilt angle** 90° up; 5° down

**VESA mounting** 100 x 100mm

**Cable management system** yes

## 07 ACCESSORIES INCLUDED

**Cables** power, USB, HDMI, Audio, DP

**Guides** quick start guide, safety guide

**Cable cover** yes

## 08 POWER MANAGEMENT

**Power supply unit** internal

**Power supply** AC 100 - 240V, 50/60Hz

**Power usage** 16W typical, 1.5W stand by, 0.3W off mode

## 09 SUSTAINABILITY

**Regulations** CE, EAC, RoHS support, ErP, WEEE, cULus, VCCI, REACH, UKCA

**Energy efficiency class (Regulation (EU) 2017/1369)** E

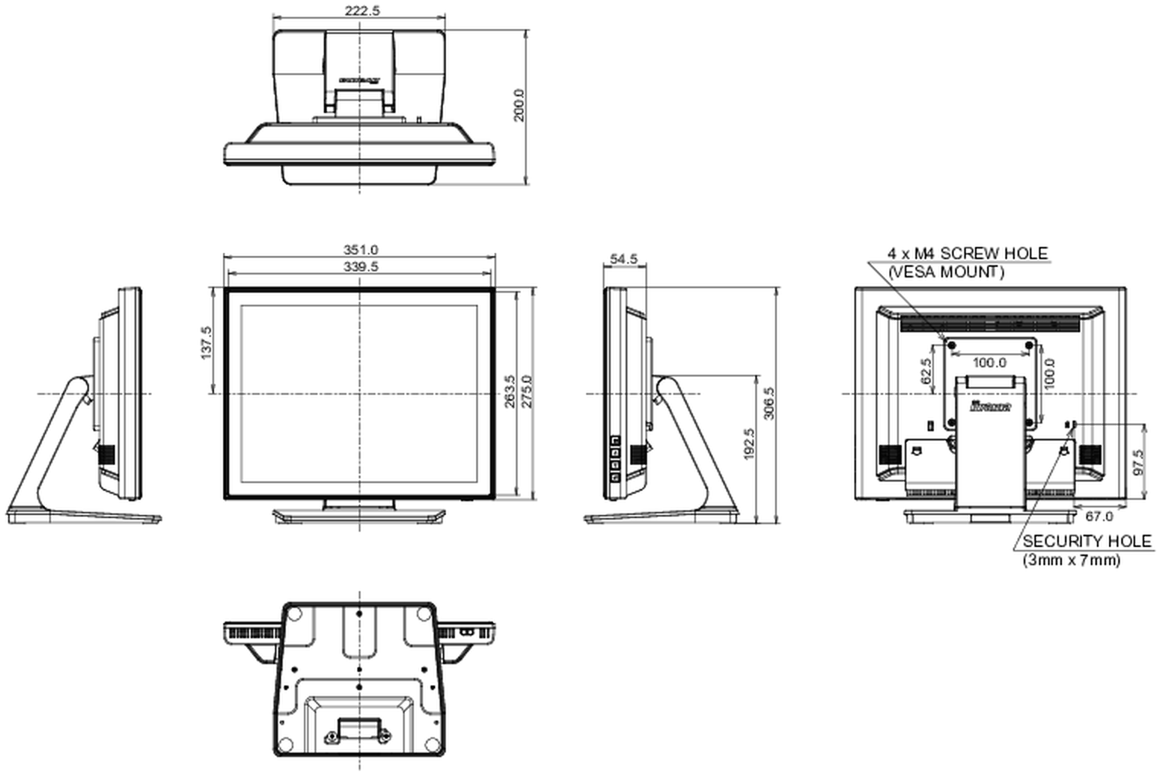
**REACH SVHC** above 0.1%: Lead

## 10 DIMENSIONS / WEIGHT

**Product dimensions W x H x D** 351 x 306.5 x 200mm

**Weight (without box)** 3.7kg

**EAN code** 4948570122097



© IIYAMA CORPORATION. ALL RIGHTS RESERVED