



34” UWQHD curved with USB-C dock, KVM switch and 150mm height adjustable stand

Inspired by the curve of the human eye, the 1500R curved VA screen offers superb images along with a comfortable and immersive viewing experience. Equipped with the KVM switch, the XCB3494WQSN enables you to connect multiple computers which can be operated over one console (monitor, keyboard, mouse). The USB-C dock connector allows you to simplify your workspace by using a single cable to both send the signal from your notebook to your monitor while charging the notebook from the monitor. Additionally, if your monitor is connected to the Internet via a LAN cable, your notebook will automatically be connected to the network.

The 150mm height-adjustable stand ensures you can adjust the screen position to your preferences, and the flicker-free panel with blue light reducer function reduces eye fatigue.



KVM SWITCH

Having a monitor with a KVM switch allows you to share the devices connected via USB to your monitor with two different PCs. Just change the signal input in the OSD menu of the monitor and your keyboard, mouse and webcam will switch from your work laptop to your gaming PC.



USB-C Dock

The dock allows you to connect your laptop with a single cable to the monitor to both make sure it is charged and connected to a wired network and signal from the laptop is sent to the monitor. With additional USB-ports, your mouse, keyboard or webcam can also be connected to the monitor. All thanks to a single cable connecting your laptop* to the USB C dock in the monitor.

*Functions vary depending on your laptop USB-C support.

01 DISPLAY CHARACTERISTICS

| | |
|-----------------------------|---|
| Design | curved |
| Diagonal | 34", 86.4cm |
| Panel | VA panel, matte finish |
| Curved | 1500R |
| Native resolution | 3440 x 1440 @120Hz (4.9 megapixel UWQHD, DisplayPort & USB-C) |
| Aspect ratio | 21:9 |
| Panel brightness | 350 cd/m ² |
| Static contrast | 4000:1 |
| Advanced contrast | 80M:1 |
| Response time (MPRT) | 0.4ms |
| Viewing zone | horizontal/vertical: 178°/178°, right/left: 89°/89°, up/down: 89°/89° |
| Colour support | 16.7mln (sRGB: 99%; NTSC: 93%) |
| Horizontal Sync | 30 - 185kHz |
| Viewable area W x H | 797.2 x 333.7mm, 31.4 x 13.1" |
| Pixel pitch | 0.232mm |
| Colour | matte, black |

02 INTERFACES / CONNECTORS / CONTROLS

| | |
|----------------------------|--|
| Signal input | HDMI x1 (v.2.0, 3440 x 1440@ 100Hz) DisplayPort x1 (v.1.2, 3440 x 1440@ 120Hz) USB-C x1 (3440 x 1440@ 120Hz, PD 65W) |
| USB HUB | x3 (v. 3.2 (Gen 1, 5Gbit; DC5V, 900mA)) |
| USB-C DOCK | x1 (Power delivery 65W, LAN, USB v. 3.2 (Gen 1, 5Gbit)) |
| HDCP | yes |
| Headphone connector | yes |
| RJ45 (LAN) | x1 |

03 FEATURES

| | |
|------------------------------|--|
| KVM switch | yes |
| Blue light reducer | yes |
| Flicker free | yes |
| Adaptive Sync support | FreeSync Premium - HDMI: 3440 x 1440 @48-100Hz, DP / USB-C: 3440 x 1440 @48-120Hz |
| Extra | i-Style Colour |
| OSD languages | EN, DE, FR, ES, IT, PT, RU, JP, CZ, NL, PL |
| Control buttons | joystick controller: Push (Menu), Up, Down, Left (Eco), Right (Blue Light Reducer), Input, Volume +, Volume -, Power |
| User controls | picture adjust (brightness, contrast, Eco, blue light reducer, ACR, OD, black tuner), image adjust (video mode adjust, sharp and soft, X-Res technology), colour settings (gamma, 6-axis, colour temp., i-Style colour), signal select, audio adjust (volume, mute), setup menu (OSD H. position, OSD V. position, OSD time, language), extra1 (HDR, FreeSync Premium, HDMI range, MBR), Extra2 (reset, DDCCI, opening logo, LED, USB-C, KVM, USB Standby mode, information) |
| Speakers | 2 x 2W |
| Convenience | Kensington-lock™ prepared, DDC2B |

04 MECHANICAL

| | |
|-------------------------------------|--------------------------|
| Display position adjustments | height, swivel, tilt |
| Height adjustment | 150mm |
| Swivel stand | 90°; 45° left; 45° right |
| Tilt angle | 23° up; 5° down |
| VESA mounting | 100 x 100mm |
| Cable management system | yes |

05 ACCESSORIES INCLUDED

| | |
|---------------|---------------------------------|
| Cables | power, USB, HDMI, DP, USB-C |
| Other | quick start guide, safety guide |

06 POWER MANAGEMENT

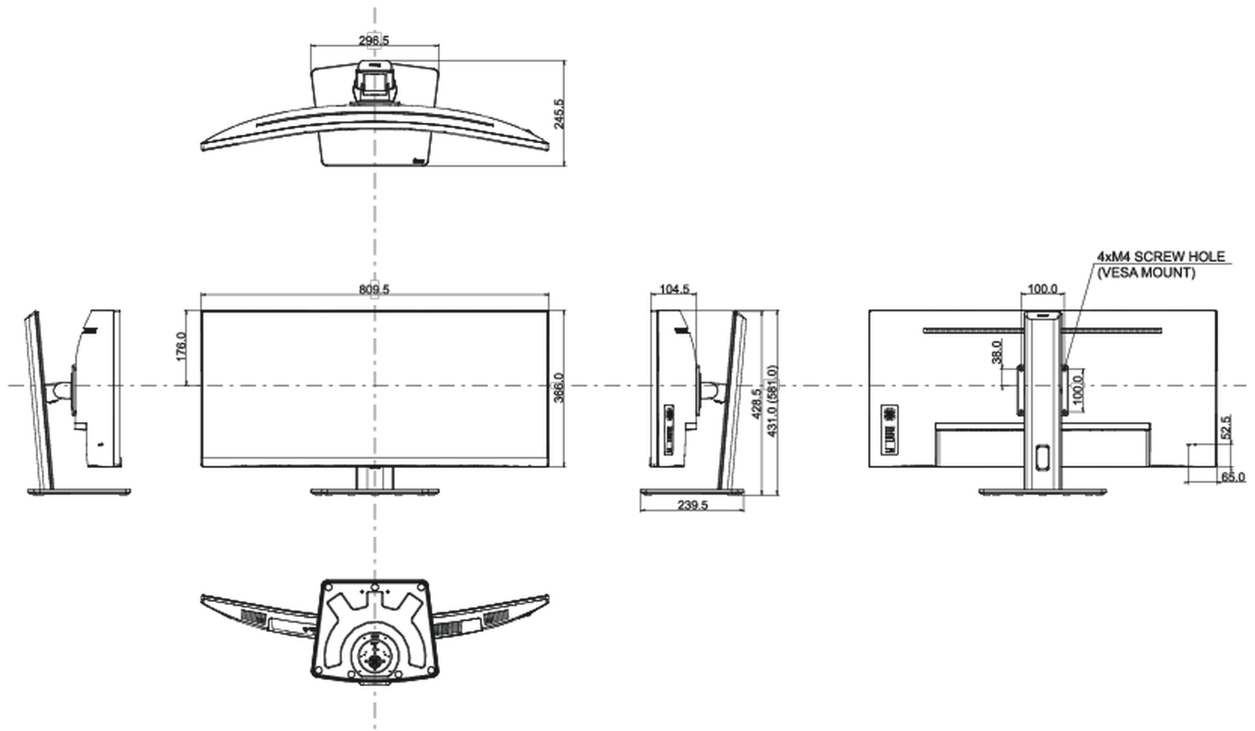
| | |
|--------------------------|---|
| Power supply unit | internal |
| Power supply | AC 100 - 240V, 50/60Hz |
| Power usage | 45W typical, 0.5W stand by, 0.5W off mode |

07 SUSTAINABILITY

| | |
|--|---|
| Regulations | TCO Certified, CE, TÜV-Bauart, EAC, VCCI-B, PSE, RoHS support, ErP, WEEE, REACH, UKCA |
| TCO Certified | XCB3494WQSN-B5 A, XCB3494WQSN-B5 B |
| Energy efficiency class (Regulation (EU) 2017/1369) | G |
| EPEAT | *registration varies by country, go to www.epeat.net for details |
| REACH SVHC | above 0.1%: Lead |

08 DIMENSIONS / WEIGHT

| | |
|-------------------------------------|-----------------------------|
| Product dimensions W x H x D | 809.5 x 431 (581) x 245.5mm |
| Box dimensions W x H x D | 900 x 480 x 236mm |
| Weight (without box) | 9.3kg |
| Weight (with box) | 12.2kg |
| EAN code | 4948570121410 |



© IIYAMA CORPORATION. ALL RIGHTS RESERVED