



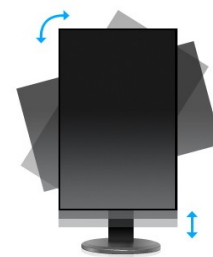
24" IPS monitor with ultra flat front and height adjustable stand

ProLite XUB2490HS is a 24" LED monitor with latest IPS Panel technology considered to be the best all round panel type. It offers accurate and consistent colour reproduction with wide viewing angles and a fast response time. A truly ergonomic stand including pivot function makes the XUB2490HS an excellent choice for photographic design, web design, standard office use. It's the perfect choice for multi-monitor applications.



IPS

IPS technology offers higher contrast, darker blacks and much better viewing angles than standard TN technology. The screen will look good no matter what angle you look at it.



HAS + PIVOT

With a height adjustable stand you will create an ergonomic work posture and position that meets all health and safety requirements. This will not only prevent any health issues but will also increase your productivity. The pivot function allows the screen to rotate from landscape to portrait orientation. This functionality can be useful if the application requires more height than width.

## 1. CARACTERÍSTICAS DE LA PANTALLA

DIAGONAL

23.8"; 61cm

RELACIÓN DE ASPECTO.	16 : 9
PANEL	AH-IPS LED, matte finish
RESOLUCION NATIVA	Full HD 1080p, 1920 x 1080 ( 2.1 megapixel)
BRILLO	250 cd/m <sup>2</sup> típico
CONTRASTE ESTÁTICO	1000 : 1 typical
CONTRASTE AVANZADO	5 000 000 : 1 ACR
TIEMPO DE RESPUESTA	5ms
VIEWING ZONE	horizontal/vertical: 178° / 178° ; right/left: 89° / 89° ; up/down: 89° / 89°
COLOR DE LA PANTALLA	16.7 million
REDUCTOR DE LUZ AZUL	sí
ÁREA DE VISUALIZACIÓN H X W	296.64 x 527 mm; 11.7" x 20.7"
PIXEL PITCH H X V	0.2745 x 0.2745 mm
SINCRONIZACIÓN HORIZONTAL	30 - 83kHz
VERTICAL SYNC	55 - 76Hz
SINCRONIZACIÓN	Separate sync

## 2. INTERFACES / CONECTORES / CONTROLADORES

CONECTOR DE ENTRADA DIGITAL	DVI-D, HDMI, DisplayPort
HDCP	yes

## 3. CARACTERISTICAS

APPLE - MAC	All iiyama monitors are compatible with Apple-Macintosh computers.
PLUG & PLAY	VESA DDC2B™
CONTROLES	Via OSD in 8 languages (EN, DE, FR, PL, NL, Chinese, RU, JP) and 5 front controls (Power, Menu, +/- Volume/Blue Light Reducer, -/ ECO, Auto)
LOS CONTROLES DE USUARIO	luminance (contrast, brightness, i-style Colour, ACR, ECO), image steep (aspect), colour (gamma, colour temp., sRGB), OSD setup (H. position, V. position, OSD time out, language), extra (reset, DDC/CI, input select, OD, audio input, opening logo, information), volume
ALTAVOCES	2 x 2 W (Stereo)
DISPOSITIVO ANTI-ROBO	Kensington-lock™ prepared
CERTIFICADOS	TCO 6, CE, TÜV-Bauart, VCCI-B, CU
SOPORTE DE ALTURA REGULABLE	Sí
AJUSTE DE ALTURA	130mm
ROTACIÓN (FUNCIÓN DE PIVOTE)	90°
SWIVEL STAND	90°; 45° left; 45° right
ÁNGULO DE INCLINACIÓN	20° up; 4° down
VESA MOUNTING	100 x 100 mm
COLOR	Negro

## 4. ACCESORIOS

ACCESORIOS INCLUIDOS	AC adapter, power cable, DVI-D cable, DisplayPort cable, audio cable, stand, quick start guide, safety guide
----------------------	--

## 5. GESTIÓN DE ENERGÍA

FUENTE DE ALIMENTACIÓN	AC100~240V 50/60Hz
UNIDAD DE FUENTE DE ALIMENTACIÓN	external
CONSUMO DE ENERGÍA	22 W typical; max. 0.5 W in Power management mode
GESTIÓN DE ENERGÍA	VESA DPMS

## 6. ETIQUETA DE EFICIENCIA ENERGÉTICA DE LA UE

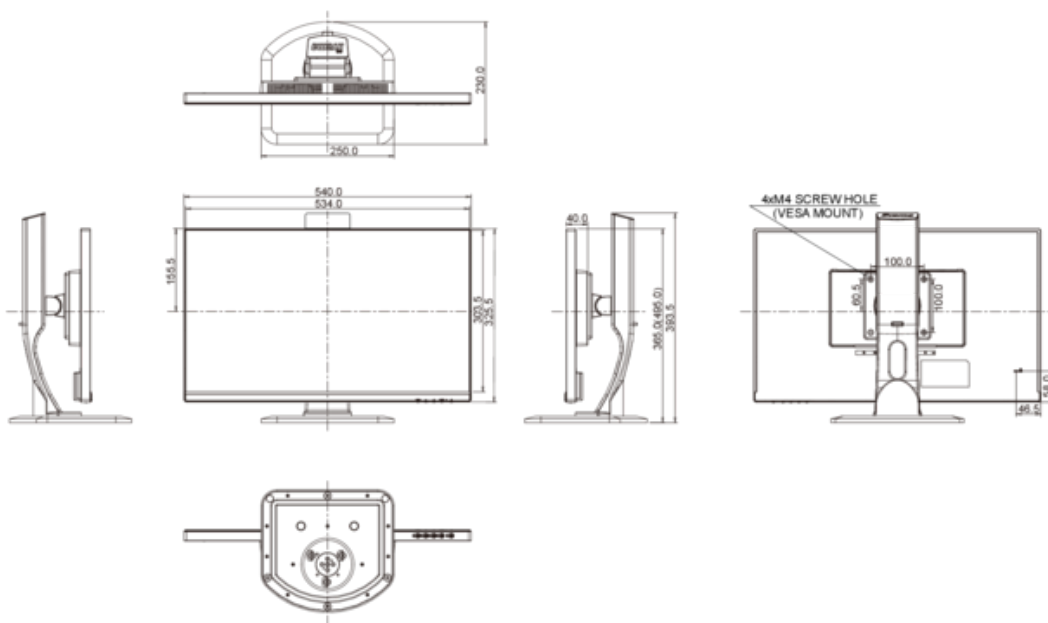
CLASE DE EFICIENCIA ENERGÉTICA	A
CONSUMO DE ENERGÍA EN MODO ENCENDIDO	21.9W
CONSUMO ANUAL DE ENERGÍA	32 kWh/annum*
LA PANTALLA EN DIAGONAL VISIBLE	61 cm; 23.8"; ( 24" segment )

*This is information under Regulation (EU) No 1062/2010.*

*\*Based on the power consumption of the television operating 4 hours per day for 365 days. The actual energy consumption will depend on how the television is used.*

## 7. DIMENSIONES / PESO

DIMENSIONES W X H X D	540 x 365 (495) x 230 mm
PESO	5.4 kg



All trademarks and registered trademarks acknowledged. E & O E. Specification subject to change without notice. All LCD's comply with ISO-9241-307:2008 in connection with pixel defects.

