



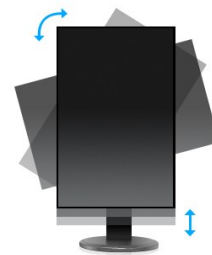
24" IPS monitor with ultra flat front and height adjustable stand

ProLite XUB2490HS is a 24" LED monitor with latest IPS Panel technology considered to be the best all round panel type. It offers accurate and consistent colour reproduction with wide viewing angles and a fast response time. A truly ergonomic stand including pivot function makes the XUB2490HS an excellent choice for photographic design, web design, standard office use. It's the perfect choice for multi-monitor applications.



IPS

IPS technology offers higher contrast, darker blacks and much better viewing angles than standard TN technology. The screen will look good no matter what angle you look at it.



HAS + PIVOT

With a height adjustable stand you will create an ergonomic work posture and position that meets all health and safety requirements. This will not only prevent any health issues but will also increase your productivity. The pivot function allows the screen to rotate from landscape to portrait orientation. This functionality can be useful if the application requires more height than width.

1. DISPLAY CHARACTERISTICS

DIAGONAL

23.8"; 61cm

ASPECT RATIO	16 : 9
PANEL	AH-IPS LED, matte finish
NATIVE RESOLUTION	Full HD 1080p, 1920 x 1080 (2.1 megapixel)
BRIGHTNESS	250 cd/m ² typical
STATIC CONTRAST	1000 : 1 typical
ADVANCED CONTRAST	5 000 000 : 1 ACR
RESPONSE TIME	5ms
VIEWING ZONE	horizontal/vertical: 178° / 178° ; right/left: 89° / 89° ; up/down: 89° / 89°
DISPLAY COLOUR	16.7 million
BLUE LIGHT REDUCER	yes
DISPLAY AREA H X W	296.64 x 527 mm; 11.7" x 20.7"
PIXEL PITCH H X V	0.2745 x 0.2745 mm
HORIZONTAL SYNC	30 - 83kHz
VERTICAL SYNC	55 - 76Hz
SYNCHRONIZATION	Separate sync

2. INTERFACES / CONNECTORS / CONTROLLERS

DIGITAL INPUT CONNECTOR	DVI-D, HDMI, DisplayPort
HDCP	yes

3. FEATURES

APPLE - MAC	All iiyama monitors are compatible with Apple-Macintosh computers.
PLUG & PLAY	VESA DDC2B™
CONTROLS	Via OSD in 8 languages (EN, DE, FR, PL, NL, Chinese, RU, JP) and 5 front controls (Power, Menu, +/- Volume/Blue Light Reducer, -/ ECO, Auto)
USER CONTROLS	luminance (contrast, brightness, i-style Colour, ACR, ECO), image steep (aspect), colour (gamma, colour temp., sRGB), OSD setup (H. position, V. position, OSD time out, language), extra (reset, DDC/CI, input select, OD, audio input, opening logo, information), volume
SPEAKERS	2 x 2 W (Stereo)
ANTI-THEFT-DEVICE	Kensington-lock™ prepared
CERTIFICATES	TCO 6, CE, TÜV-Bauart, VCCI-B, CU
HEIGHT ADJUSTABLE STAND	Yes
HEIGHT ADJUSTMENT	130mm
ROTATION (PIVOT FUNCTION)	90°
SWIVEL STAND	90° ; 45° left; 45° right
TILT ANGLE	20° up; 4° down
VESA MOUNTING	100 x 100 mm
COLOUR	Black

4. ACCESSORIES

INCLUDED ACCESSORIES	AC adapter, power cable, DVI-D cable, DisplayPort cable, audio cable, stand, quick start guide, safety guide
----------------------	--

5. POWER MANAGEMENT

POWER SUPPLY	AC100~240V 50/60Hz
POWER SUPPLY UNIT	external
POWER USAGE	22 W typical; max. 0.5 W in Power management mode
POWER MANAGEMENT	VESA DPMS

6. EU ENERGY EFFICIENCY LABEL

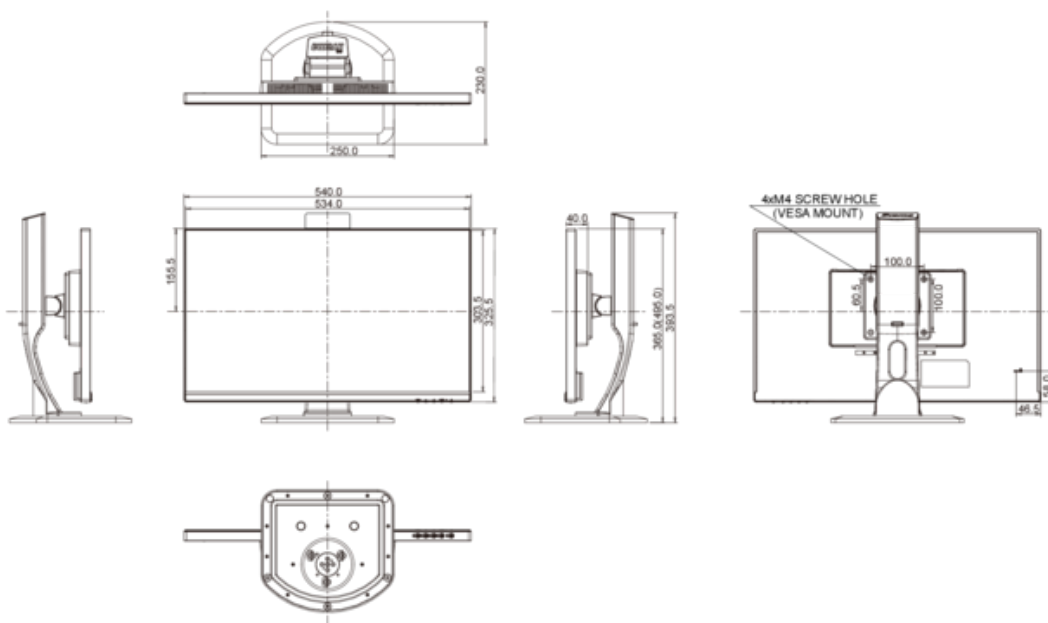
ENERGY EFFICIENCY CLASS	A
ON MODE POWER CONSUMPTION	21.9W
ANNUAL ENERGY CONSUMPTION	32 kWh/annum*
VISIBLE SCREEN DIAGONAL	61 cm; 23.8"; (24" segment)

This is information under Regulation (EU) No 1062/2010.

**Based on the power consumption of the television operating 4 hours per day for 365 days. The actual energy consumption will depend on how the television is used.*

7. DIMENSIONS / WEIGHT

DIMENSIONS W X H X D	540 x 365 (495) x 230 mm
WEIGHT	5.4 kg



All trademarks and registered trademarks acknowledged. E & O E. Specification subject to change without notice. All LCD's comply with ISO-9241-307:2008 in connection with pixel defects.

